

TOPAS

Traffic Open Products and Specifications

TOPAS 2508B

*Performance Specification for Tactile Equipment for use at
Pedestrian Crossings*

Revision	Date	Scope	Authorised by
B	23/5/18	Final	Board

© Traffic Open Products And Specifications Limited 2018.

This document is the property of Traffic Open Products And Specifications Limited and shall not be reproduced in any media in part or in full without the prior written permission of Traffic Open Products And Specifications Limited unless this copyright statement is attached.

Contains public sector information licensed under the Open Government Licence v3.0 and are reproduced and adapted by permission.

Limitation of Liability

Traffic Open Products And Specifications Limited does not accept any liability for any losses damages injury or death or other adverse consequence arising from the use or application of this document and the information therein

(This Page left intentionally blank)

TOPAS 2508B

PERFORMANCE SPECIFICATION FOR TACTILE EQUIPMENT FOR USE AT PEDESTRIAN CROSSINGS

CONTENTS

Section

- 1 Introduction
- 2 Functional Requirements
- 3 References

Appendix Z

Technical File Content

CHANGE LOG

The following outlines significant changes to this specification, from its previous issue which do not impact on currently Registered products:

- a. General clarifications and removal of detail that relates to Controller implementations, which are not strictly part of the specification for the tactile unit.
- b. Section 2.11 removed (reference to the ability of the tactile unit to be dismantled only by the use of special tools).
- c. Removal of the informative guide (Appendix A) and inclusion of its basic material (labelling) have been included into the main document as a clear requirement.

The following outlines significant changes to this specification, from its previous issue which may impact on currently Registered products:

- a. Detailed operate and not-operate voltages have been added to the specification – section 2.18 and section 2.19.
- b. Specific requirements for product labelling – section 2.28
- c. Specific requirements to comply with TOPAS 2130 for environmental performance – section 2.25.
- d. Specific requirements to comply with EN50293 for EMC – section 2.26.
- e. Changes in reliability requirements – section 2.27

The requirements for re-registration of existing products are defined in section 1.7.

1. INTRODUCTION

1.1 This specification covers the requirements for Tactile Equipment for use at permanent, temporary and portable signalised crossings on public highways where permitted.

1.2 TOPAS specifications are explicitly purchasing specifications and compliance with them is not mandatory. However Local and other Purchasing Authorities may typically require that equipment purchased complies with TOPAS specifications and is TOPAS registered.

1.3 Manufacturers may register products as being compliant with this specification, using the process defined in TOPAS 0600.

1.4 TOPAS registration requires manufacturers submit a Technical File to an appropriate Technical Assessor to aid compliance verification. The content requirement for the Technical File is defined in Appendix Z of this specification.

1.5 Within this specification, "The Product" shall mean all components necessary to provide a complete operational unit meeting the requirements of this specification and the common requirements defined in TOPAS 0600.

Implementation

1.6 This specification will be immediately implemented from the date of issue for all new TOPAS registrations.

1.7 For Products previously Registered against TOPAS 2508A which are compliant with this amended specification, manufacturers are simply required to confirm in writing that the Products remain compliant. Once confirmed Product Registration information will be migrated on the TOPAS website.

1.8 Glossary of Terms

1.9 A comprehensive glossary of terms is given in Highways England document TA 84 Code of Practice for Traffic Control and Information Systems for All-Purpose Roads.

1.10 TOPAS terms are defined in TOPAS 0600 and TOPAS 0601.

1.11 Other definitions:

Pedestrian Push Button Box: Any on-street mounted equipment used to register demands from pedestrians and other users. Typically these will be indicators which may also include Do Not Cross and Right Of Way signalisation. And more particularly identified in TSRGD Schedule 14 Sign Table Part 2 diagrams 4003; 4003.1; 4003.3; 4003.4; 4003.6; 4003.7; 4003.8.

2 FUNCTIONAL REQUIREMENTS

General

2.1 The Product provides an indication to visually impaired pedestrians, at signal controlled pedestrian crossing facilities, of the period during which they may use the crossing.

2.2 The Product shall consist of a rotating tactile cone, control unit and power supply if required and means of fitting the tactile unit to the Pedestrian Push Button Box.

2.3 All Products, independent of technology and interface type, shall meet the requirements defined in this section.

Performance

2.4 When driven, the tactile cone shall rotate symmetrically around a central vertical axis.

2.5 The tactile cone shall only rotate when a supply voltage as defined in section 2.18 is present at the tactile unit terminals.

2.6 Rotation of the tactile cone shall cease when a reverse torque equal to or greater than 0.08 Nm is applied to the tactile cone.

2.7 When driven, the tactile cone shall rotate at 60 rpm $\pm 20\%$ when a reverse torque equal to or less than 0.06 Nm is applied to the tactile cone.

2.8 When the tactile cone is not being driven, the maximum torque required to rotate it in a clockwise or anticlockwise direction shall not exceed 0.04 Nm.

Construction

2.9 The manufacturer shall provide full details of how the unit is to be fitted into standard pedestrian indicator equipment such that the tactile unit will operate as required by the specification.

2.10 The tactile unit shall be constructed to allow for installation to be carried out on site.

2.11 Where the tactile cone interfaces with the external surface of the Pedestrian Push Button Box, the diameter of the cone shall be 15 mm ± 1.0 mm.

2.12 When fitted the tactile unit shall not restrict access to the Pedestrian Push Button Box.

2.13 Any fitting accessible at the outside face of the Pedestrian Push Button Box shall not by itself allow the complete or partial removal of the tactile unit (including the tactile cone).

2.14 Where the fitting is external to the Pedestrian Push Button Box, the fitting, excluding case, shall not exceed a depth of 5.0 mm measured from the external face of the box.

2.15 When fitted to the Pedestrian Push Button Box any free vertical and lateral movement of the tactile cone shall not exceed 1.0 mm.

2.16 The tactile cone shall protrude 20 mm ± 1.0 mm when measured from the external face of the Pedestrian Push Button Box or from the surface of any external fitting when fitted.

2.17 The construction options for the cone are shown in drawings (i) and (ii) and the product shall be constructed of materials that will withstand the effects of the environment in which it is intended to operate.

Electrical Requirements

2.18 The supply for the Product shall be either nominally LV or ELV and be capable of operating over one or more of the following voltage ranges whilst meeting the performance requirements of this specification:

- LV: 100V to 253V AC RMS, 50Hz $\pm 4\%$
- ELV (1): 20V to 55V AC RMS 50Hz $\pm 4\%$
- ELV (2): 22V to 58V RMS – DC full wave rectified, unsmoothed, derived from 50Hz AC $\pm 4\%$
- ELV (3): 22V to 58V Smooth DC
- ELV (4): 10.8V to 13.2V Smooth DC

DC supplies shall be polarity insensitive.

2.19 The tactile cone shall be guaranteed to be stationary at supply voltages up to 50% of the minimum operating voltages defined in 2.18 above.

2.20 Where the tactile supply voltage is LV the product shall be designed such that the power supply is separated from the tactile cone drive and can be located in a signal head or similar, so that only ELV voltages are present in Pedestrian Push Button Box. (230V AC equipment is not permitted within the Pedestrian Push Button Box).

2.21 The tactile LV power supply may be designed to supply either one or two tactile units.

2.22 Where a dual type tactile LV power supply unit is used the two outputs shall be electrically isolated from each other.

2.23 The extra low voltage tactile drive output from a tactile LV power supply shall be fused or current limited.

2.24 All wiring, termination, earthing and labelling shall be in accordance with BS 7671.

Environmental and EMC

2.25 The Product shall operate as required by this specification when tested to the environmental requirements of TOPAS 2130.

2.26 The Product shall meet the EMC requirements defined in BS EN50293.

Reliability

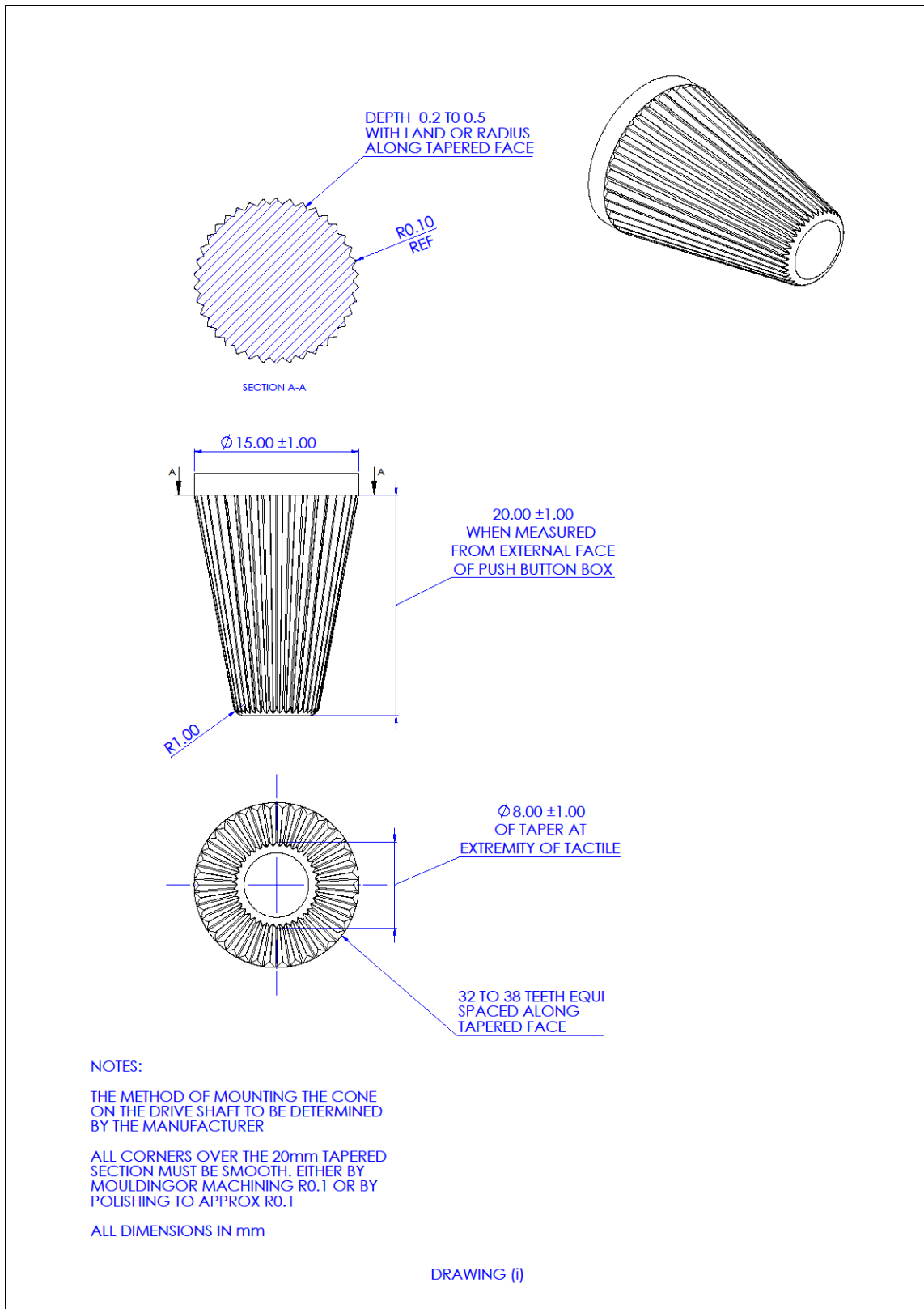
2.27 The tactile Product shall be designed to have an operational design life of at least 10 years under normal operating conditions.

Marking & Labelling

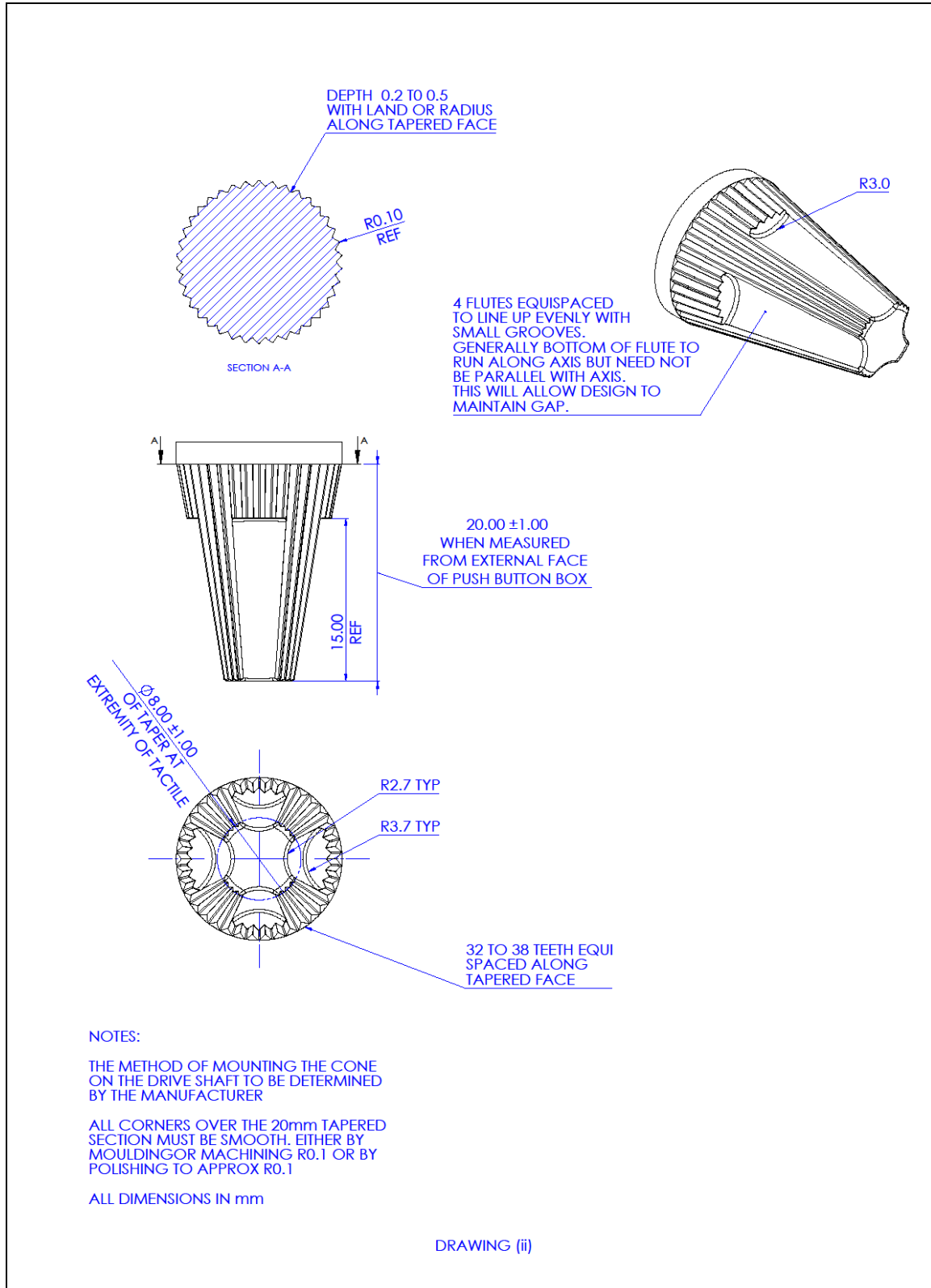
2.28 The product shall be fitted with a durable label in English or international symbols which identifies:

- i) The unique identifier (part number) and serial number of the product.
- ii) The electrical supply requirements of the product.
 - Operating voltage range.
 - Maximum normal operating current consumption.
 - Maximum stall current consumption.
- iii) The function of all terminations and connections on the product.
- iv) The number of tactile units it has been designed to supply (LV units only).

Drawing (i) – tactile cone design



Drawing (ii) – tactile cone design



3 REFERENCES

General

- 1 Where undated references are listed, the latest issue of the publication applies.

British Standards

- 2 The British Standards Institution, London, publishes British Standards.

BS 7671	Requirements for Electrical Installations
BS EN 50293	Electromagnetic Compatibility – Road Traffic Signal Systems Product Standard.

Specifications

- 3 TOPAS Limited specifications are available from www.topasgroup.org.uk

TOPAS 0600	TOPAS Registration process.
TOPAS 0601	TOPAS specification review process.
TOPAS 2500	Specification for Traffic Signal Controller.
TOPAS 2523	Traffic Control Equipment Interface Specification
TOPAS 2130	Environmental Tests for Motorway Communications Equipment and Portable and Permanent Traffic Control Equipment

Other Publications.

TSRGD	Traffic Signs Regulations and General Directions.
-------	---

APPENDIX Z TECHNICAL FILE CONTENT

This appendix defines the necessary content for a Technical File Pack (a collection of relevant documents) which must be reviewed by an appropriate Technical Assessor as part of the TOPAS Registration process (See TOPAS 0600).

Only the 'ticked' items are required to be present in a Technical File Pack used to support TOPAS Registration against TOPAS 2508.

Ref	Item	Description	Required
1	Technical File overview document	A summary document outlining the product, specifying which TOPAS and other relevant specification(s) the product has been designed to comply with, together with a detailed table of contents for the Technical File Pack. Where copies of external certificates or documents are referred to these may be included within the Technical File overview document or supplied separately as part of the Technical File Pack.	√
2	QA accreditation certificate(s)	A copy of the Quality Management Registration Certificates for the organisation applying for TOPAS Product Registration.	√
3	Details of all CE markings that apply to the product	A list of all directives complied with and how achieved. Typically this would be references to explicit CE Technical Files and certificates, copies of which would be included in the Technical File Pack.	√
4	A functional design description of the product	A reference to the overall System Design Documentation for the product (by document part number and issue).	√
5	Product part numbers	A list of top level assembly part numbers and their issue states including all firmware / software part numbers and issues.	√
6	Test procedures and results	A reference to all test schedules and test result documents (by document part number and issue).	√

7	Statement of compliance	A clause by clause statement of compliance against this specification confirming compliance and/or listing caveats or deviations.	√
8	EMC test results	A reference to EMC test performance requirements. Copies of the results of EMC testing undertaken by an appropriately qualified independent approved test house must be included in the Technical File Pack.	√
9	Optical test results	A reference to Optical tests performance requirements. Copies of the results of Optical testing undertaken by an appropriately qualified independent approved test house must be included in the Technical File Pack.	N/A
10	Environmental test results	A reference to Environmental tests performance requirements. Copies of the results of the Environmental testing undertaken by an appropriately qualified independent approved test house must be included in the Technical File Pack.	√
11	Radio Agency test results	A reference to Radio Agency tests performance requirements. Copies of the results of Radio Agency testing undertaken by an appropriately qualified independent approved test house must be included in the Technical File Pack.	N/A
12	Primary Safety Test results	For Traffic Control equipment specifically a reference to the Primary Safety Test schedule and test results by part number and issue. A copy of the test results should be included as part of the Technical File Pack.	N/A
13	Failure Mode Analysis	A reference to the product failure mode analysis requirements and results by document part number and issue.	N/A